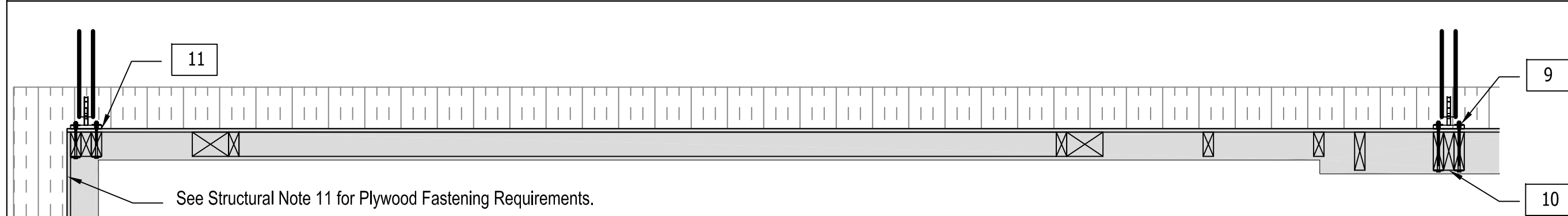
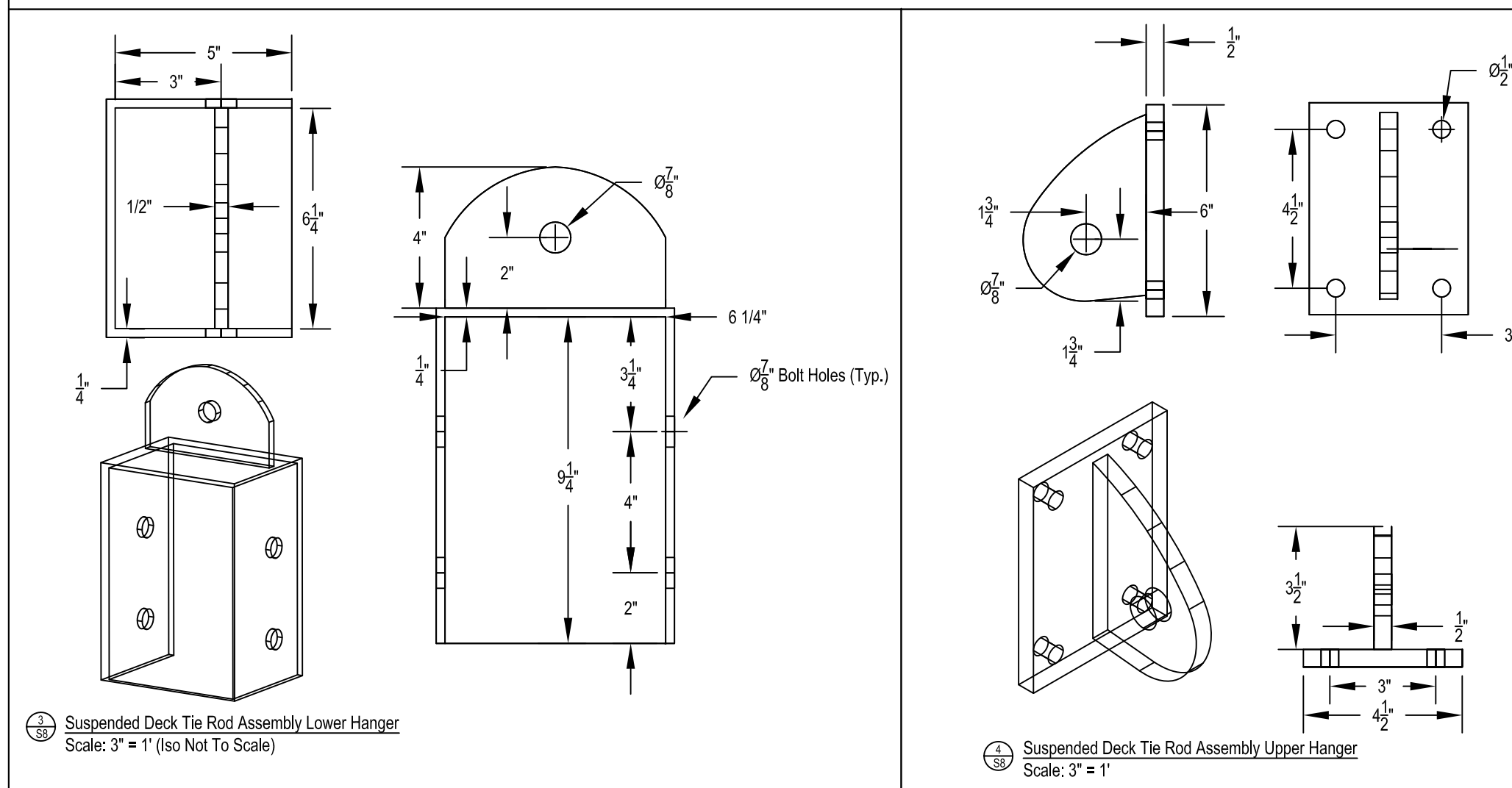


1 Suspended Deck Assembly - Framing Plan
Scale: 3/8" = 1'



2 Suspended Deck Assembly - Upper Hanger Detail
Scale: 3/8" = 1'



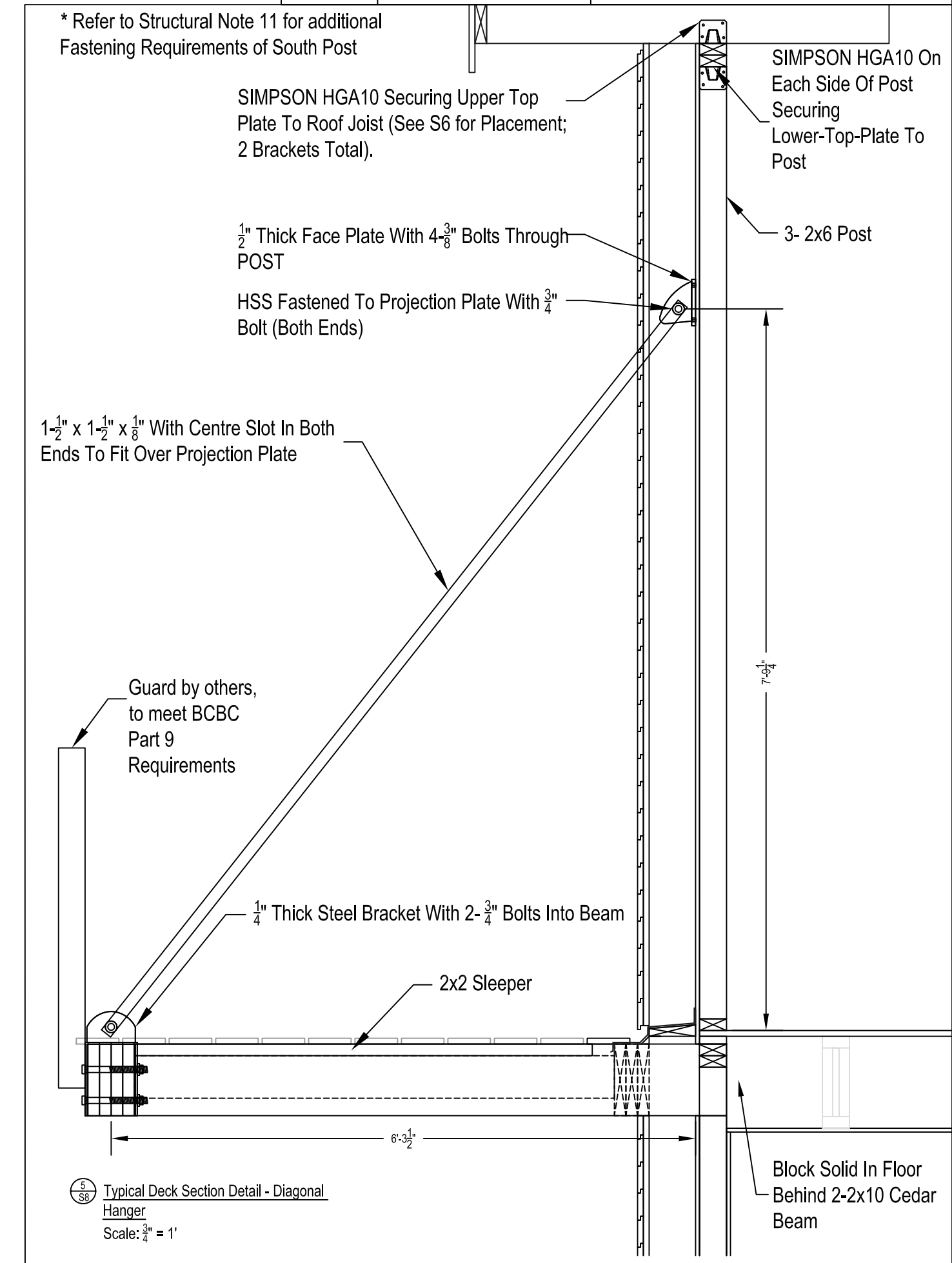
3 Suspended Deck Tie Rod Assembly Lower Hanger
Scale: 3" = 1' (Iso Not To Scale)

4 Suspended Deck Tie Rod Assembly Upper Hanger
Scale: 3" = 1'

* THE LOCATION OF THE BOLTS INTO THE CEDAR BEAM SHALL NOT BE MODIFIED FROM THIS PLAN. OTHER BOLT HOLES MAY BE MODIFIED TO SUIT SITE CONDITIONS

- Notes
- 1) Diagonal Brace Assembly Lower Hanger - 3 sided box fits over end of 4-Ply Built-Up-Beam. Top of box contains lifting tab. Bottom of box open to prevent trapping water.
 - 2) Bolted Connections shall be made using structural grade stainless steel bolts.
 - 3) All steel for hanger assembly to be Stainless Steel Type 304 with a Fy = 300 MPa. All seams to be TIG welded.
 - 4) All lumber shall be Grade No. 2 or better
 - 5) Refer to Simpson catalogue for number and size of required fasteners.

| No. | Date | Issue |
|-----|---------------|---------------------------------|
| A | Nov. 26, 2013 | For Comment/Markup |
| B | Jan 15, 2014 | For Comment/Markup |
| 1 | Mar. 24, 2014 | Issued For Building Permit App. |



5 Typical Deck Section Detail - Diagonal Hanger
Scale: 3/8" = 1'

Suspended Deck Structural Notes - Typical for both ends of deck U.N.O.

| Item# | Description |
|-------|---|
| 1 | 4-Ply 2x10 Built-Up Cedar Beam |
| 2 | 2- 2x10 Built-Up Cedar Beam with LUS28 Hanger Into 4-Ply Beam |
| 3 | 2x6 Cedar Joists @ 16" o.c. with 2x2 Sleepers installed parallel on top surface |
| 4 | HSS 1-1/2" x 1-1/2" x 3/8" Pinned to Top and Bottom Hanger with 3/4" Bolts |
| 5 | 1x6 Deck Boards (Cedar or Wood Plastic Composite) |
| 6 | 3-Ply 2x10 Built-Up Pressure Treated S-P-F Beam with Simpson HU210-3 Hanger (Or Equivalent) at Both Ends. |
| 7 | 3-Ply 2x4 S-P-F No. 2 Post Typ. Support for both Assembly Item No. 2 Beams |
| 8 | Brace Assembly Lower Hanger (3/8") c/w 2- 3/4" Thru Bolts through Built-Up Beam |
| 9 | Brace Assembly Upper Hanger (3/8") c/w 4- 3/8" Thru Bolts Into Post |
| 10 | 3-Ply 2x6 Post with 2 Simpson HGA10 clips from post into wall top plate (One each side of post) |
| 11 | 3-Ply 2x4 Post. Fasten Full Sheet of Plywood to Upper South Wall Corner with 3-1/2" Nails @ 3" o.c. Into Post And Into Wall Top Plate |



718-333 Brooksbank Ave Room 237
North Vancouver, BC V7J 3V8
Tel: 778-688-6807

Project Title
The Enclosure
Pemberton Heights, North Vancouver - British Columbia

Drawing
Balcony Structural Details

Scale:
1/4" = 1'-0"

Date:
Mar 24, 2014

Drawn By:
SW

Dwg. #:

S8