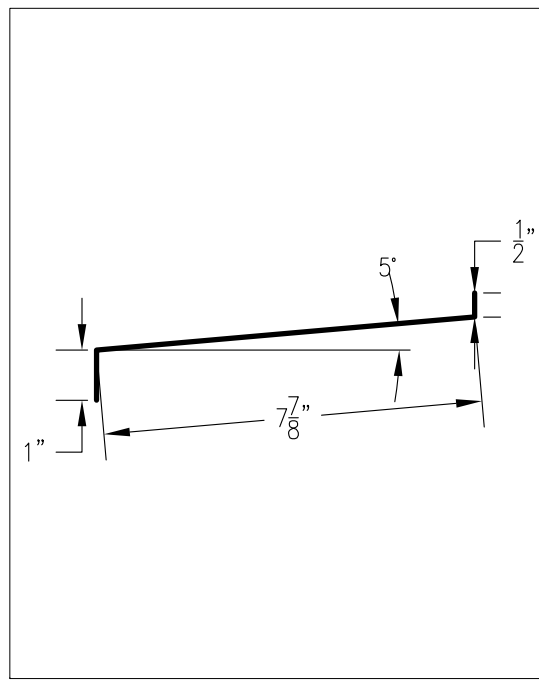
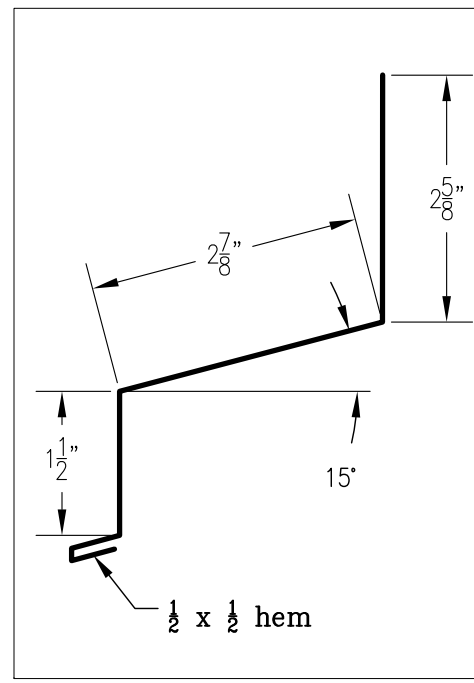


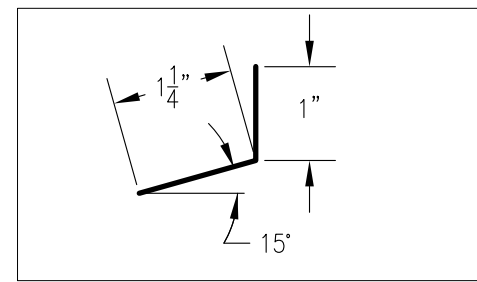
1  
A15  
Base of Wall Flashing - 1st Storey



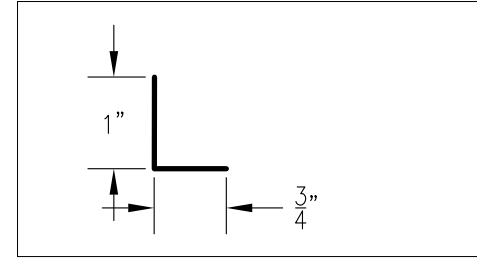
2  
A15  
Base of Wall - 1st Storey Cover Board Clip/Bug Screen



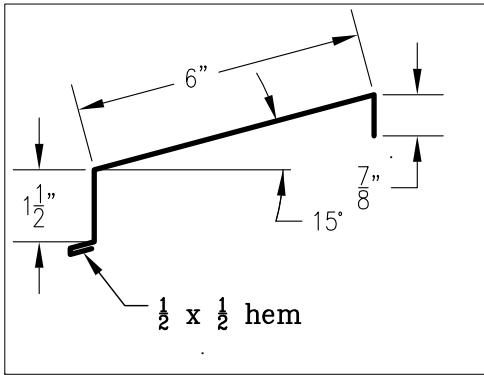
3  
A15  
Base of Wall Flashing - 2nd Storey/Clerestory



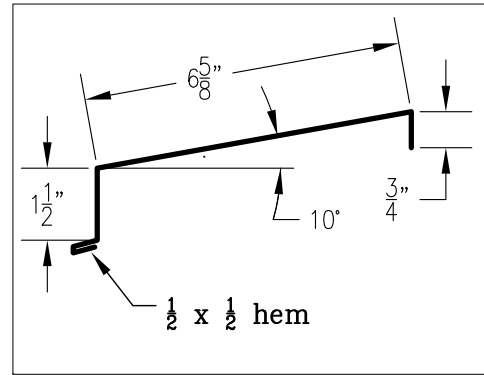
4  
A15  
Base of Wall 2nd Storey & Window - Wind Clip/Bug Screen



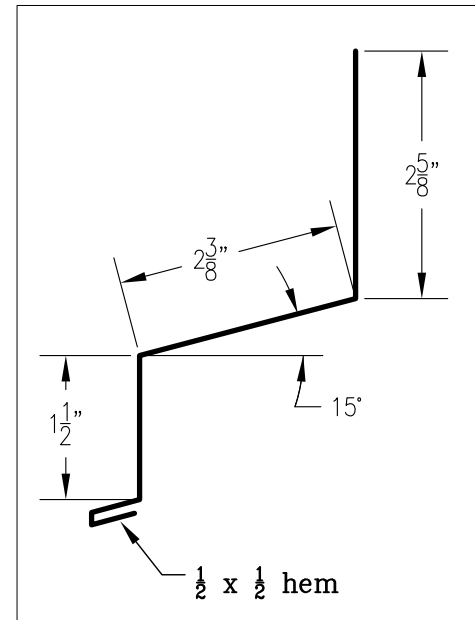
5  
A15  
Rainscreen Bug Screen



6  
A15  
Window Sill Flashing



7  
A15  
Clerestory Window Sill Flashing



8  
A15  
Window Head Flashing

Project Title  
**The Enclosure**  
Pemberton Heights, North Vancouver - British Columbia

Drawing  
**Flashing Schedule**

Scale: N.T.S.  
Date: June 19, 2017  
Dwg. #: A15-1  
Drawn By: SW

No.	Date	Issue
A	June 19, 2017	Issued for Quote

Notes:

