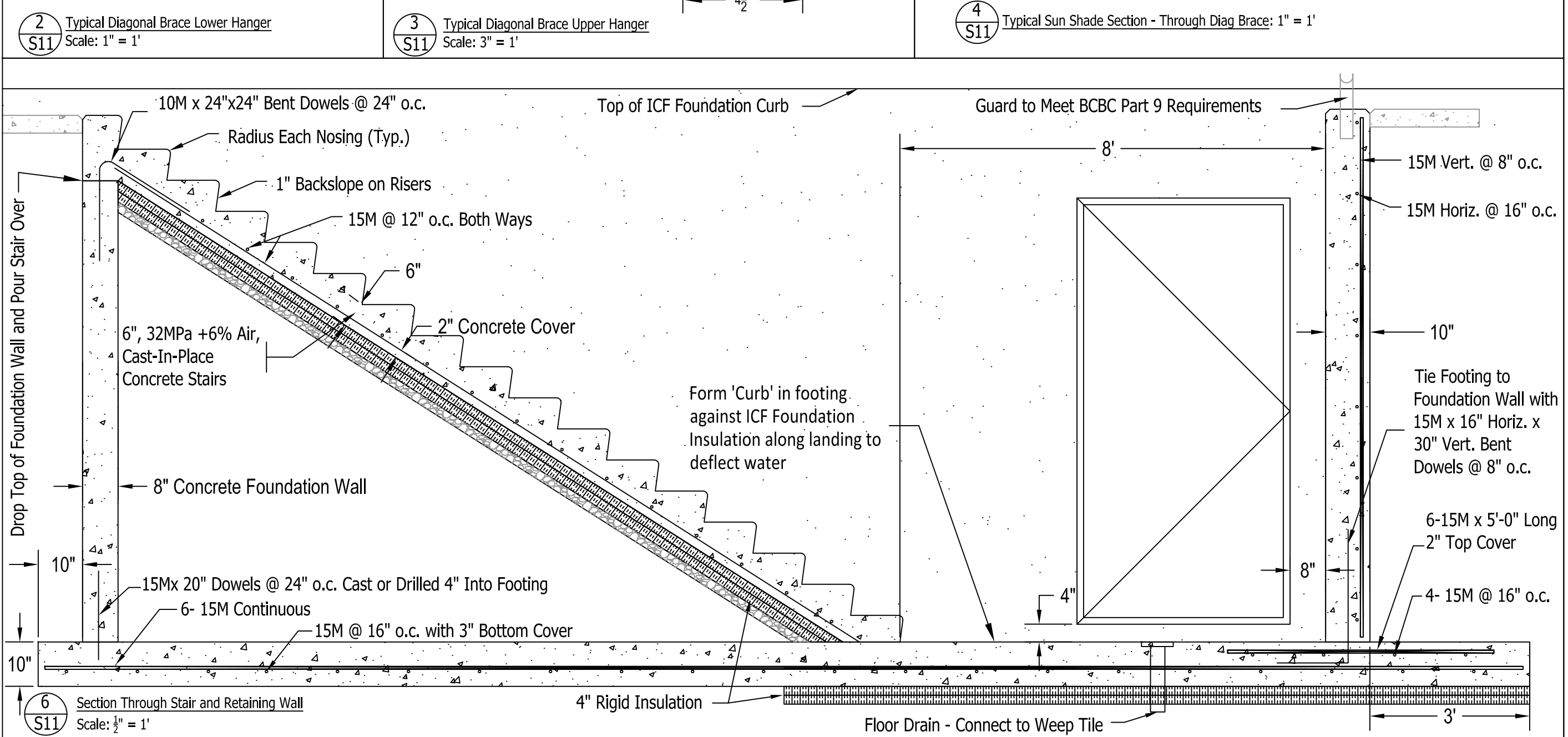
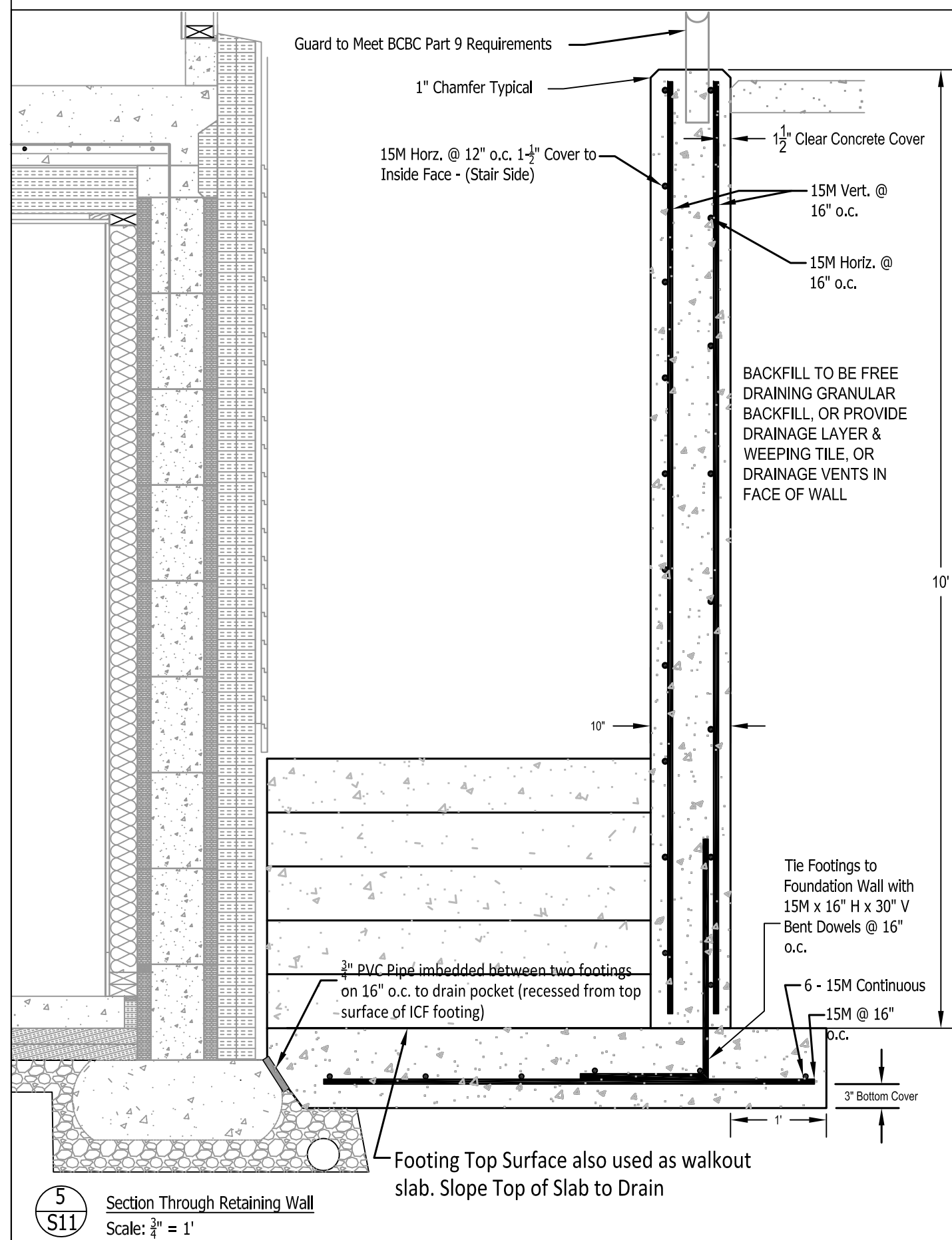
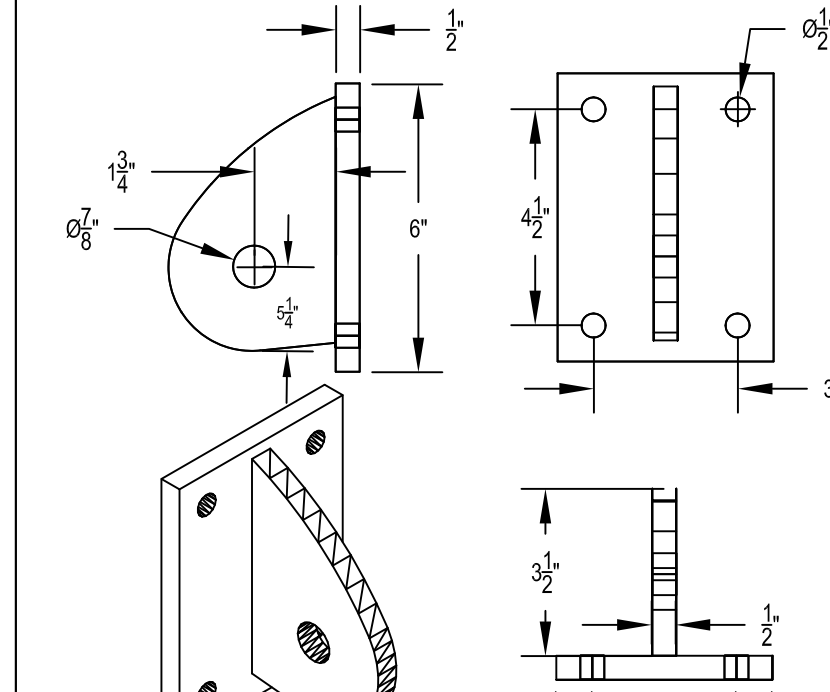
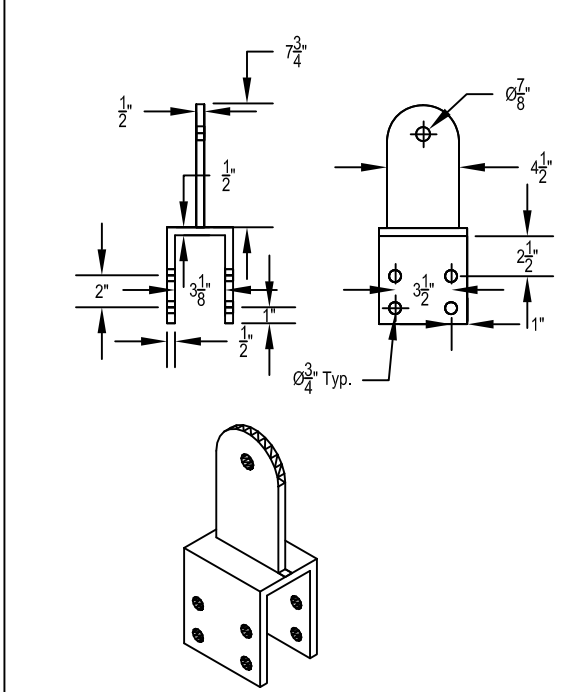


**Sun Shade Notes**

- 1) Assembly consists of continuous 2x6 Cedar Boards separated by 4 1/2" long Cedar 2x6 Blocking.
- 2) All hangers to be fabricated from 304 S.S. Plate (Fy = 300 MPa)
- 3) Lumber shall be Northern Species Grade No. 2 or Better.

**Walkout Detail Notes:**

- 1) Torch-On ICF WRB to be installed prior to forming stair.



No.	Date	Issue
A	Nov. 26, 2013	For Comment/Markup
B	Dec. 11, 2013	For Comment/Markup
C	Dec. 19, 2013	For Comment/Markup
1	Mar. 24, 2014	Issued For Building Permit App.

**SENWECO Designs**

718-333 Brooksbank Ave Room 237  
North Vancouver, BC V7J 3V8  
Tel: 778-888-5807

Project Title: **The Enclosure**  
Pemberton Heights, North Vancouver - British Columbia

Drawing: **Sun Shade & Retaining Wall Details**

Scale: As Indicated

Date: March 24, 2014

Drawn By: SW

Dwg. #: **S11**